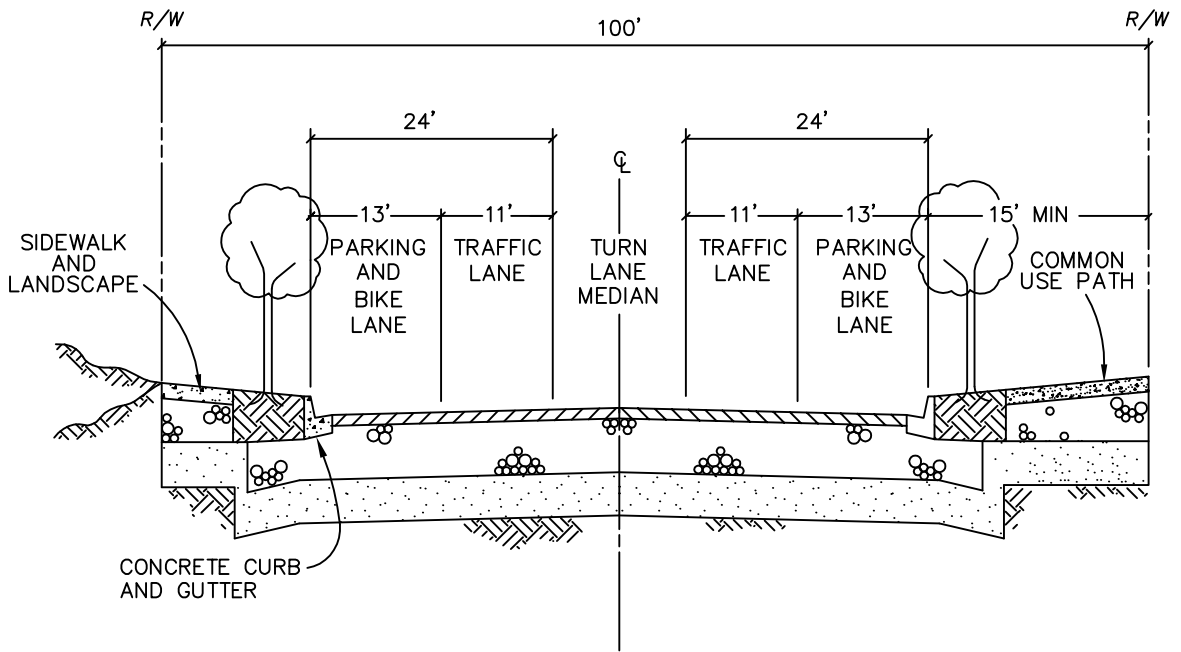


4 LANE ARTERIAL

TRAFFIC INDEX: 8.0

DESIGN SPEED: 35.0 MPH

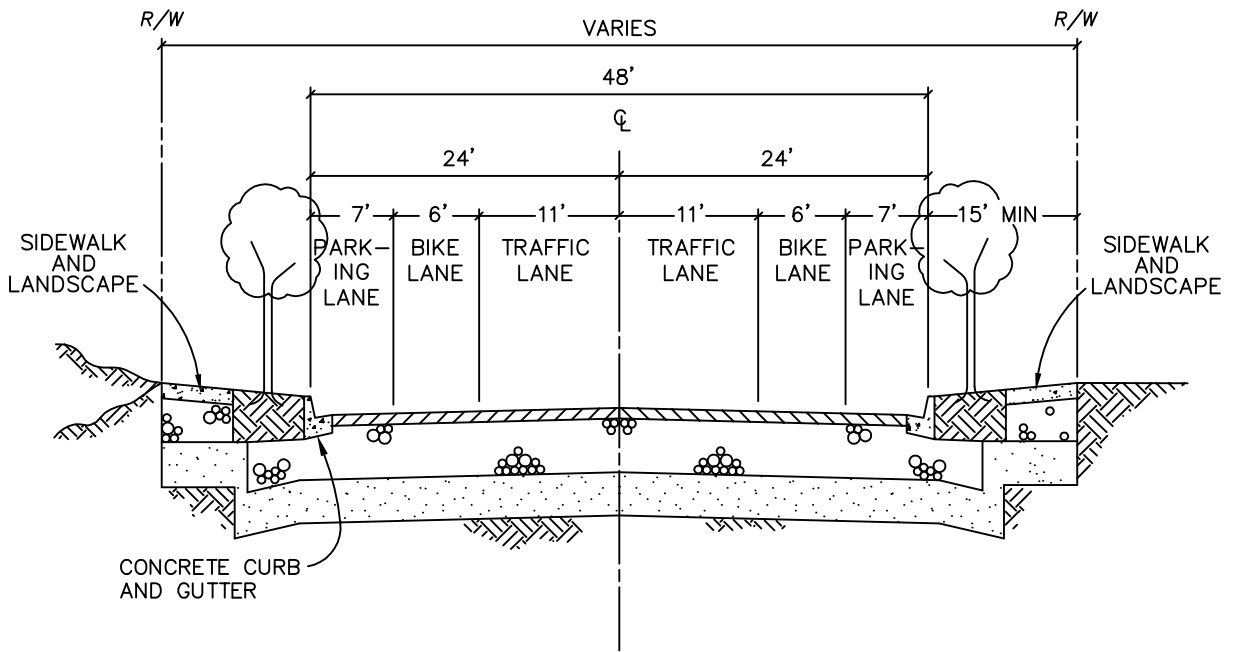
DRAWN BY: KGE	CITY OF PASO ROBLES ENGINEERING DIVISION	DRAWING NO.
DESIGNED BY: JF		A-1
DATE: 08/13	4 LANE ARTERIAL (DIVIDED)	
FILE NAME: PR-A-1.DWG		



2-LANE DIVIDED ARTERIAL

TRAFFIC INDEX: 8.0
 DESIGN SPEED: 35 MPH

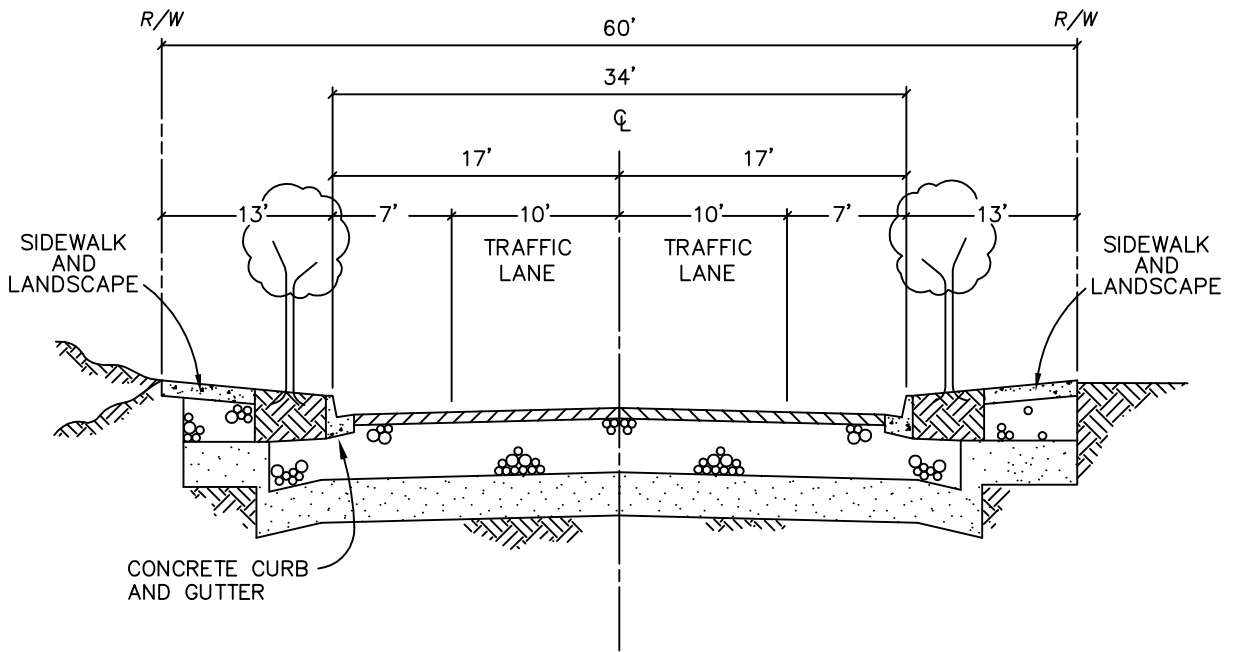
DRAWN BY: KGE	CITY OF PASO ROBLES ENGINEERING DIVISION	DRAWING NO.
DESIGNED BY: JF		A-2
DATE: 08/13	2-LANE DIVIDED ARTERIAL	
FILE NAME: PR-A-2.DWG		



2-LANE UNDIVIDED ARTERIAL

TRAFFIC INDEX: 7.0
 DESIGN SPEED: 35 MPH

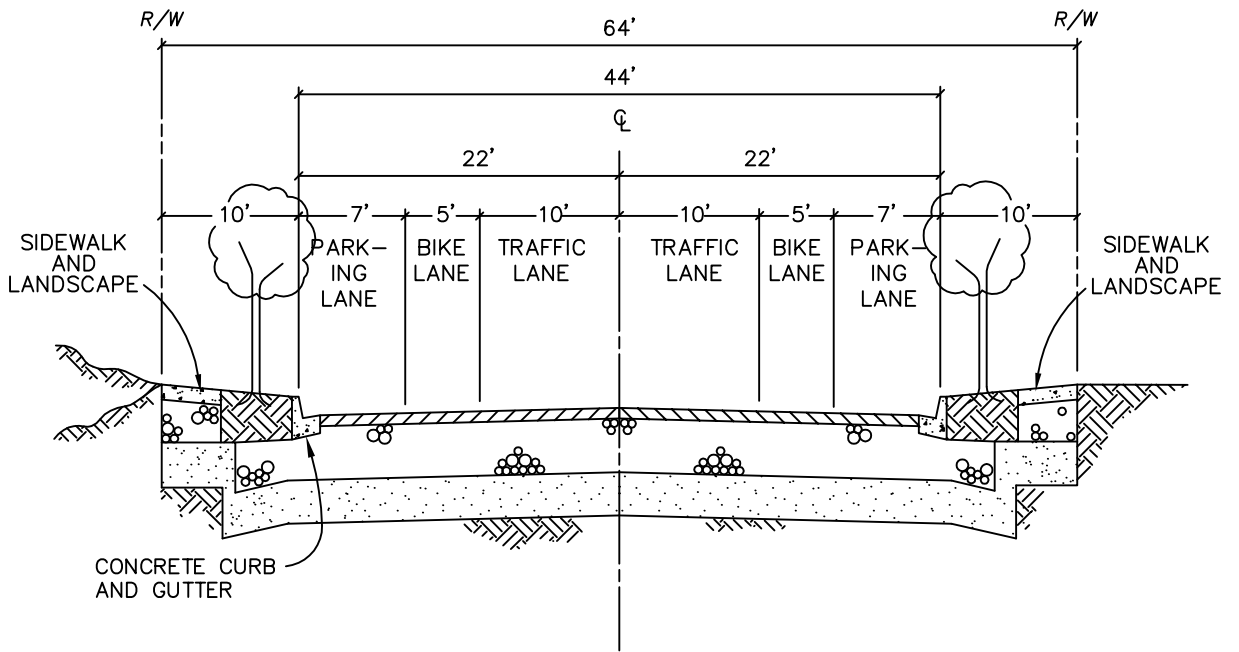
DRAWN BY: KGE	CITY OF PASO ROBLES ENGINEERING DIVISION	DRAWING NO.
DESIGNED BY: JF		A-3
DATE: 08/13	2-LANE UNDIVIDED ARTERIAL	
FILE NAME: PR-A-3.DWG		



LOCAL STREET

TRAFFIC INDEX: 6.0
 DESIGN SPEED: 25 MPH

DRAWN BY: KGE	CITY OF PASO ROBLES ENGINEERING DIVISION	DRAWING NO.
DESIGNED BY: JF		A-4
DATE: 08/13	LOCAL STREET	
FILE NAME: PR-A-4.DWG		



LOCAL STREET
WITH CLASS II BIKE LANES

TRAFFIC INDEX: 6.0
DESIGN SPEED: 25 MPH

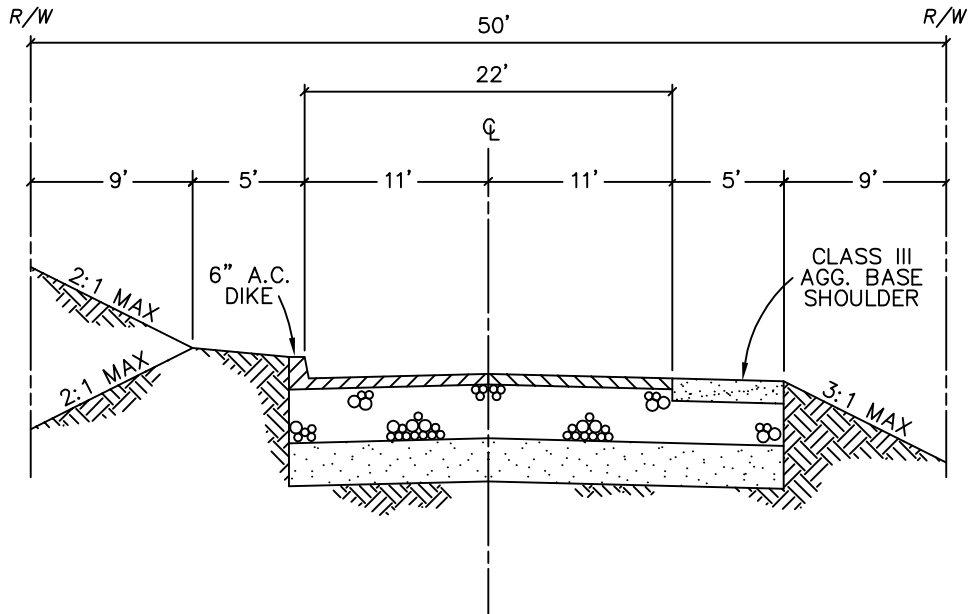
DRAWN BY:
KGE
DESIGNED BY:
JF
DATE:
08/13
FILE NAME:
PR-A-5.DWG

CITY OF PASO ROBLES
ENGINEERING DIVISION

DRAWING NO.

LOCAL STREET
WITH CLASS II BIKE LANES

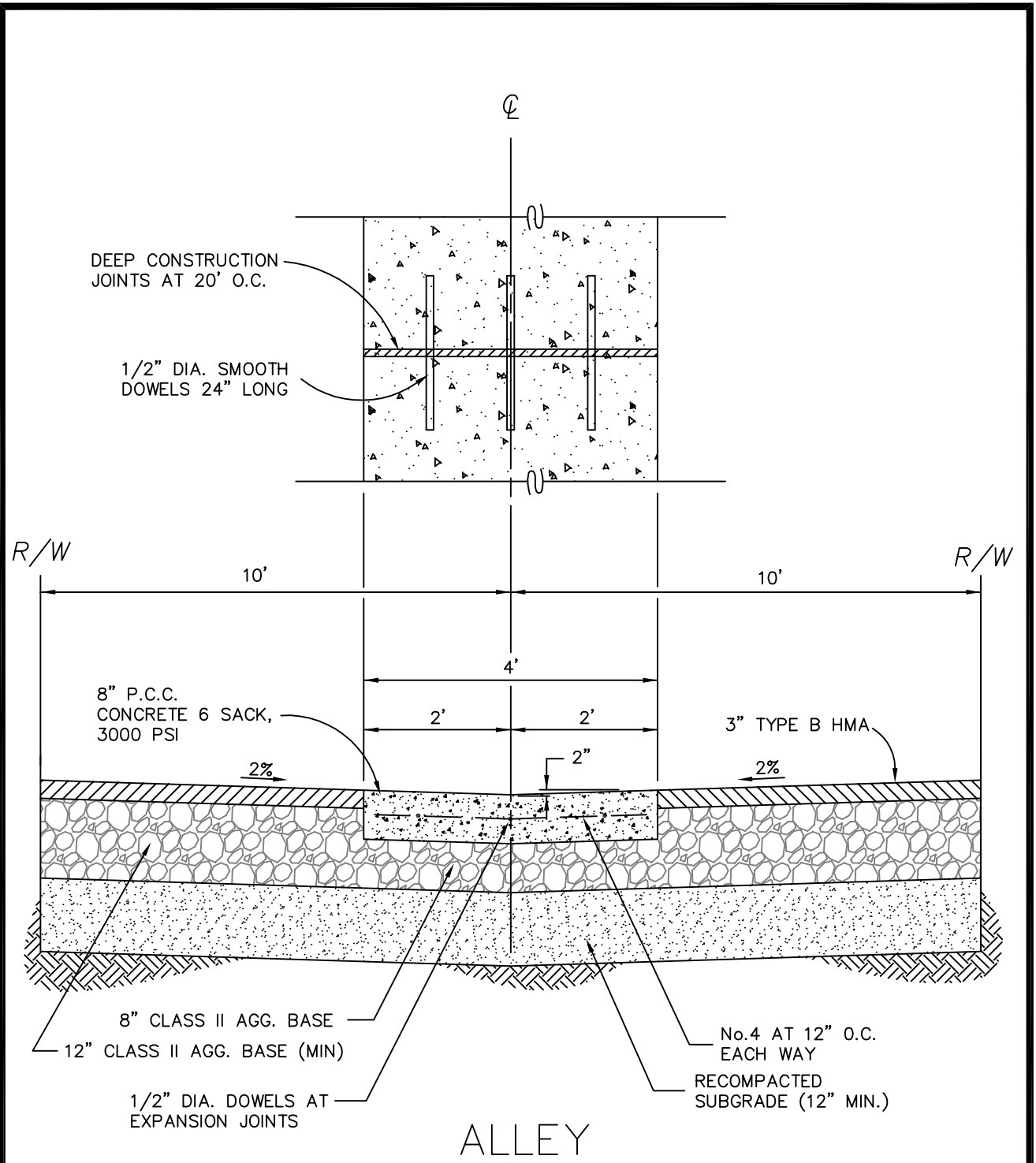
A-5



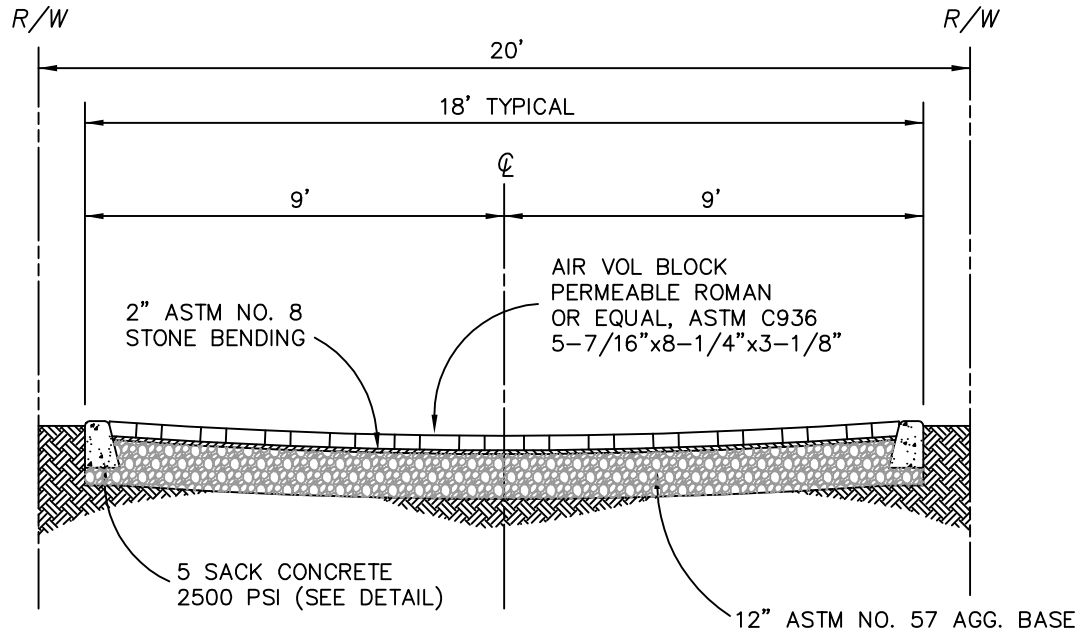
RURAL LOCAL STREET

TRAFFIC INDEX: 6.0
 DESIGN SPEED: 25 MPH

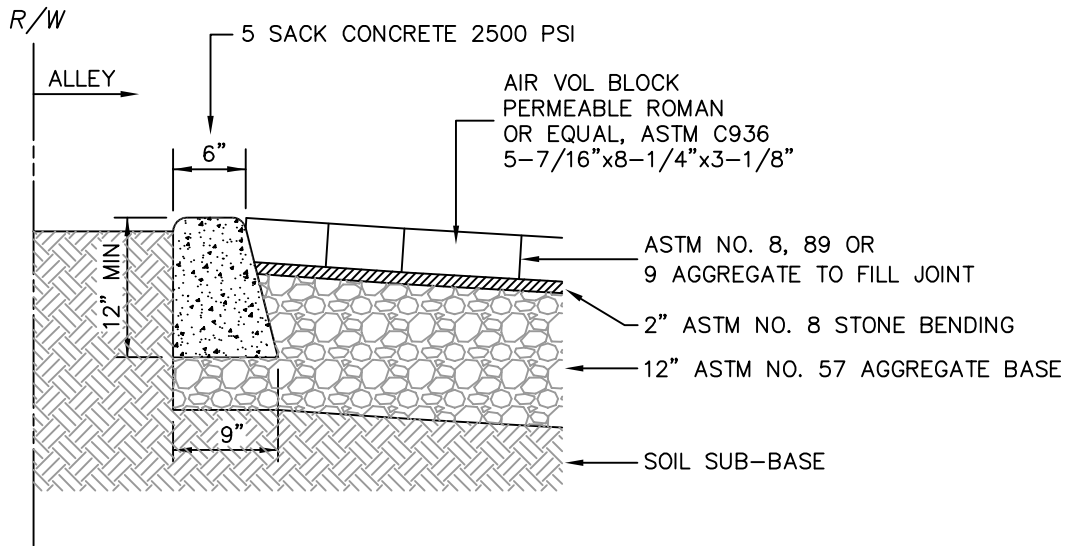
DRAWN BY: KGE	CITY OF PASO ROBLES ENGINEERING DIVISION	DRAWING NO.
DESIGNED BY: JF		A-6
DATE: 08/13	RURAL LOCAL STREET	
FILE NAME: PR-A-6.DWG		



DRAWN BY: KGE	CITY OF PASO ROBLES ENGINEERING DIVISION	DRAWING NO.
DESIGNED BY: JF		A-7
DATE: 08/13	ALLEY	
FILE NAME: PR-A-7.DWG		



ALLEY



DETAIL

PAVER BLOCK ALLEY

DRAWN BY: KGE	CITY OF PASO ROBLES ENGINEERING DIVISION	DRAWING NO.
DESIGNED BY: JF		
DATE: 02/13	PAVER BLOCK ALLEY	A-8
FILE NAME: PR-A-8.DWG		