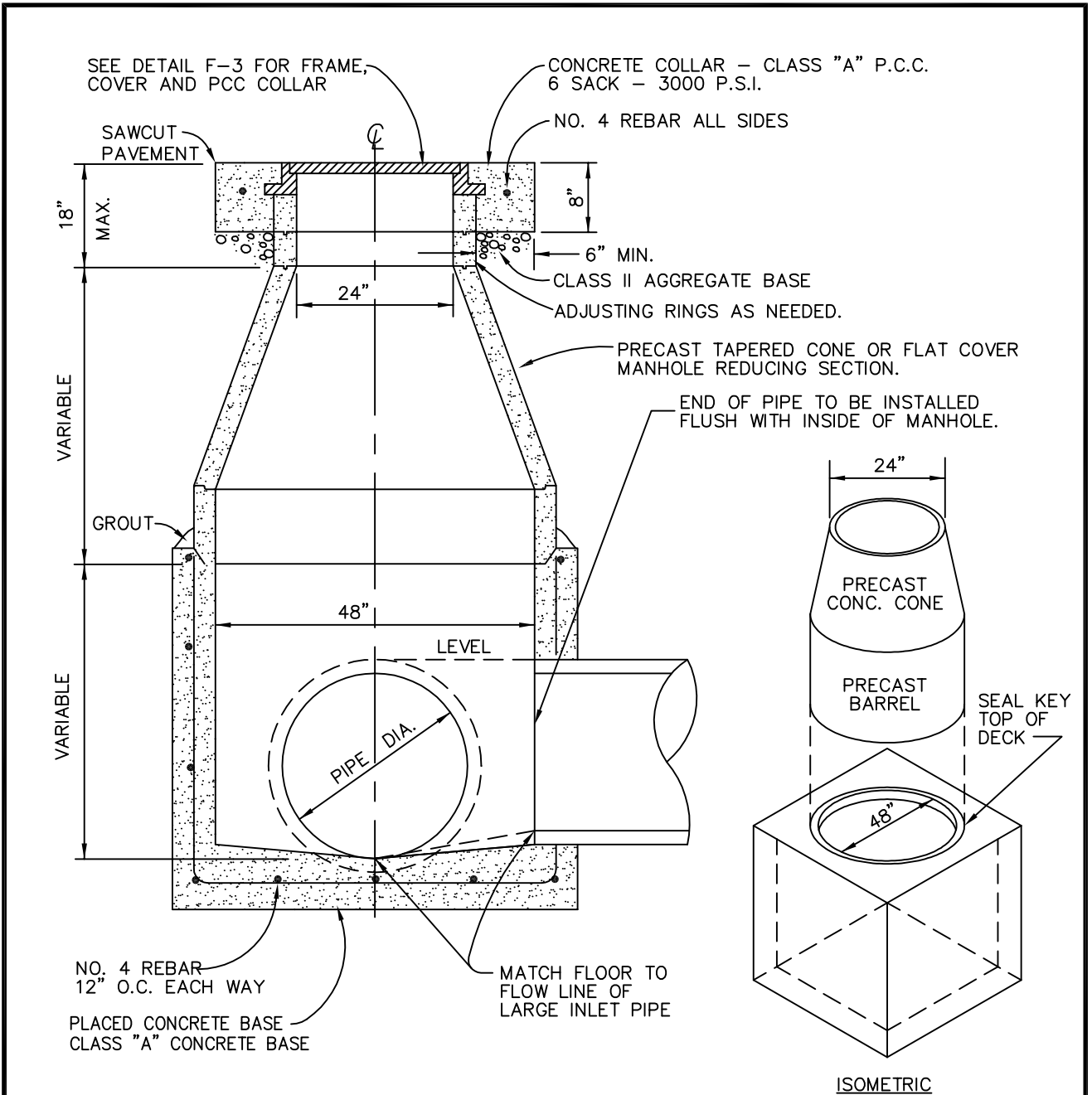


- NOTES:
1. REINFORCING STEEL TO BE No. 4 BARS AT 12" O.C. EA. WAY PLACED 1-1/2" CLEAR TO INSIDE OF BOX UNLESS OTHERWISE NOTED.
 2. BASIN FLOORS SHALL HAVE WOOD FLOAT FINISH AND A MIN. SLOPE OF 1/4" PER FOOT FROM ALL DIRECTIONS TOWARDS OUTLET PIPE.
 3. ALL CONCRETE SHALL BE CLASS A P.C.C. 6-SACK 3000 PSI.
 4. GRATE SHALL BE BICYCLE PROOF AS LISTED-SOUTH BAY FOUNDRY (40"x25-1/2") OR EQUAL.
 5. PRE-CAST PRODUCTS AVAILABLE AT MID-STATE CONCRETE (SANTA MARIA) AND OTHER SUPPLIERS ARE ACCEPTABLE SUBSTITUTES. SPECIFICATIONS FOR PRE-CAST PRODUCTS SHALL BE PROVIDED TO THE CITY ENGINEER FOR APPROVAL PRIOR TO INSTALLATION.

DRAWN BY: KGE DESIGNED BY: JF DATE: 09/13 FILE NAME: PR-D-1.DWG	CITY OF PASO ROBLES ENGINEERING DIVISION DRAINAGE INLET	DRAWING NO. D-1
--	---	------------------------



NOTES:

1. PRECAST PIPE, ADJUSTING RINGS AND TAPERED SECTIONS SHALL BE CONSTRUCTED IN ACCORDANCE WITH STATE STANDARDS FOR CLASS II REINFORCED CONCRETE.
2. ALL JOINTS BETWEEN PRECAST SECTIONS SHALL BE SEALED, INSIDE AND OUTSIDE.
3. INTERIOR OF THE MANHOLE SHALL HAVE A SMOOTH TROWELED SURFACE.
4. MANHOLE COVER SHALL HAVE THE WORDS "STORM DRAIN" MOLDED INTO THE COVER, WITH PICK HOLE AND EDGE HOLE.
5. PIPES LARGER THAN 48" REQUIRE A SPECIAL DESIGN.
6. CONSTRUCT STORM DRAIN BOX WITH DECK AND KEY FOR PRECAST TAPERED CONE, FOR A FULL DECK BEARING ALL CONSTRUCTION JOINTS TO BE APPROVED BY CITY ENGINEER.

DRAWN BY: KGE	CITY OF PASO ROBLES ENGINEERING DIVISION	DRAWING NO.
DESIGNED BY: JF		
DATE: 05/12	PRECAST STORM DRAIN MANHOLE	D-2
FILE NAME: PR-D-2.DWG		